



HYDRO-SWISS TURN

Precision, swiss type automatic lathe solution



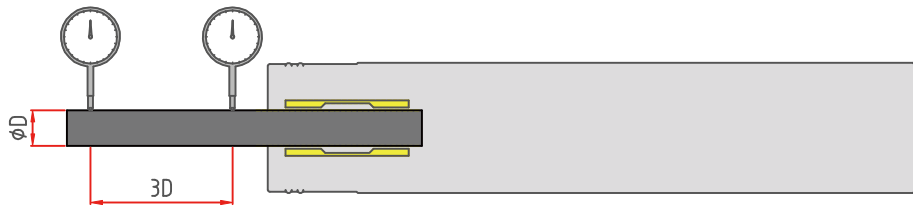
1 less than
micron



HYDRO-SWISS TURN

Ultra Precision.

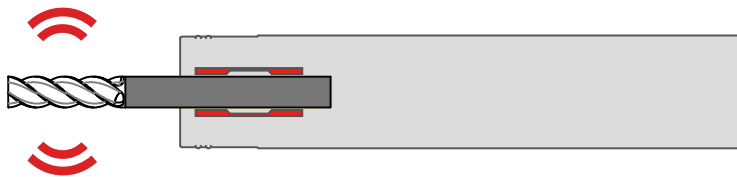
Hydraulic chuck always keeps the same run-out accuracy.



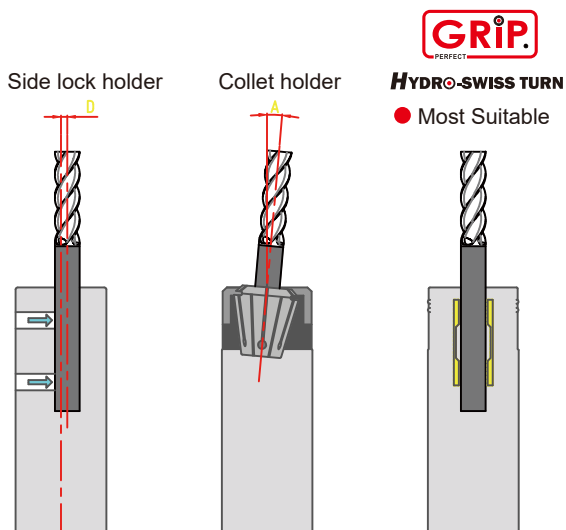
Standard type 0.003 T.I.R
UP type 0.001 T.I.R

Vibration Damping Function.

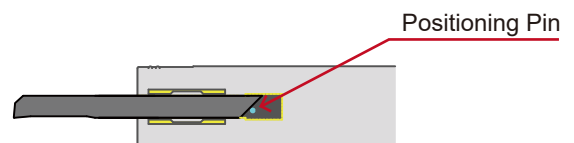
hydraulic chuck extends tool life



Hydraulic Chuck with Product Comparison



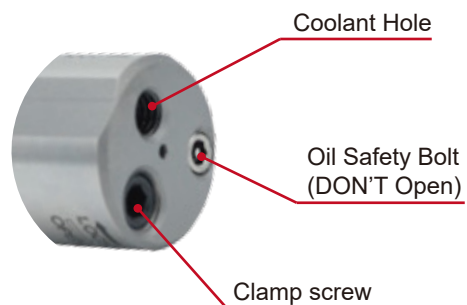
Boring for Precision High Positioning Accuracy



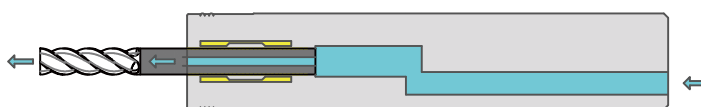
1 less than micron



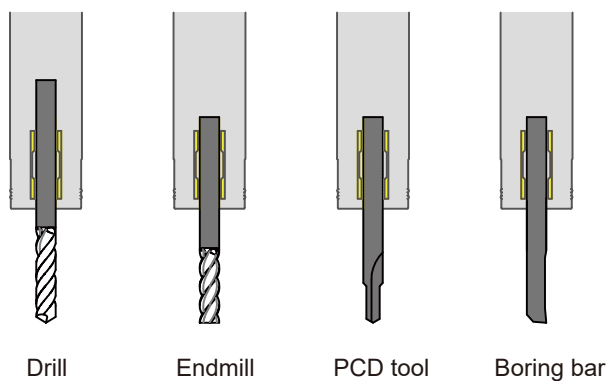
Easy Clamping Hydraulic System



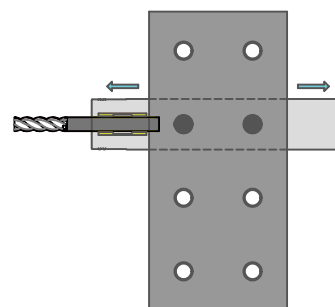
Coolant System



Various Operations



Easy and Free Axial Length Adjustment



SWISS TURN

Front Type



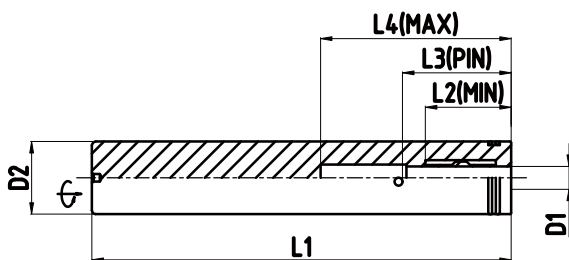
Dimensions(mm)

ST19.05	D1	D2	D3	L1	L2	L3	L4	L5	Shape	Wrench	Type of machine
ST19.05-GST3-110	3	19.05	-	110	17.5	24	40	-		TR-3.0	C/ M16/ L20
ST19.05-GST4-110	4	19.05	-	110	21	26	40	-		TR-3.0	
ST19.05-GST6-110	6	19.05	-	110	23	29	52	-		TR-3.0	
ST19.05-GST8-110	8	19.05	-	110	28	34	52	-		TR-3.0	

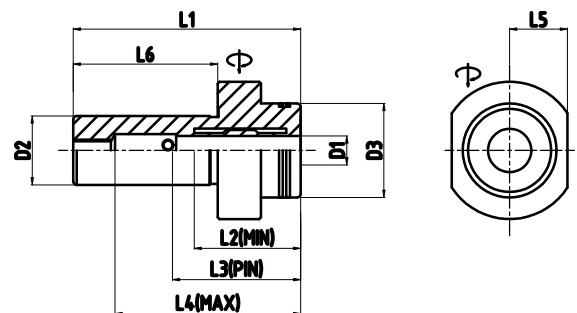
ST25.4	D1	D2	D3	L1	L2	L3	L4	L5	Shape	Wrench	Type of machine
ST25.4-GST3-110	3	25.4	-	110	17.5	24	40	-		TR-4.0	C/ M/ L32
ST25.4-GST4-110	4	25.4	-	110	21	26	40	-		TR-4.0	
ST25.4-GST6-110	6	25.4	-	110	23	29	52	-		TR-4.0	
ST25.4-GST8-110	8	25.4	-	110	28	34	52	-		TR-4.0	
ST25.4-GST10-110	10	25.4	-	110	29.5	36	55	-		TR-4.0	
ST25.4-GST12-110	12	25.4	-	110	31.5	38	58	-		TR-4.0	

- »h6 shank tools must be used.
- »T-wrench is must be ordered separately.
- »The inner diameter 8 and 12 can be used with various tools by using the hydro-sleeve.
- »All products center through coolant system.
- »Additional sizes and special designs available on request.

SWISS TURN



ST19.05/ ST25.4



ST19.05

Back Type

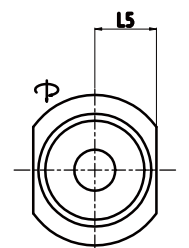
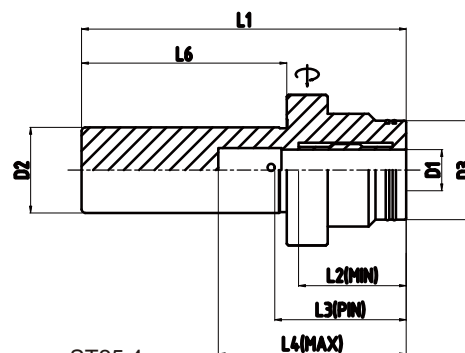
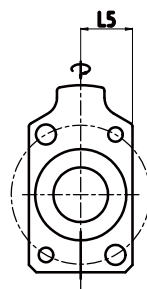
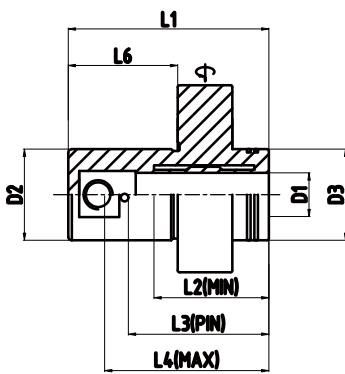
Citizen

≡ Dimensions(mm)

ST19.05	D1	D2	D3	L1	L2	L3	L4	L5	L6	Wrench	Type of machine
ST19.05-GST3-40/63	3	19.05	20	63	17.5	24	53	13.5	40	TR-4.0	
ST19.05-GST4-40/63	4	19.05	22	63	21	26	53	14	40	TR-4.0	
ST19.05-GST6-40/63	6	19.05	24	63	23	29	53	15	40	TR-4.0	C/ M16/ L20
ST19.05-GST8-40/63	8	19.05	26	63	28	34	53	16	40	TR-4.0	
ST19.05-GST10-40/63	10	19.05	28	63	29.5	36	53	17	40	TR-4.0	

ST25	D1	D2	D3	L1	L2	L3	L4	L5	L6	Wrench	Type of machine
ST25-GST4-30/55	4	25	25	55	21	26	45	14.2	30	TR-4.0	
ST25-GST6-30/55	6	25	25	55	23	29	45	14.2	30	TR-4.0	
ST25-GST8-30/55	8	25	25	55	28	34	45	14.2	30	TR-4.0	C/ L/ M20/32
ST25-GST10-30/55	10	25	25	55	29.5	36	45	14.2	30	TR-4.0	
ST25-GST12-30/55	12	25	25	55	31.5	38	45	14.2	30	TR-4.0	

ST25.4	D1	D2	D3	L1	L2	L3	L4	L5	L6	Wrench	Type of machine
ST25.4-GST4-40/75	4	25.4	19	75	21	26	46	14	40	TR-4.0	
ST25.4-GST6-40/75	6	25.4	20	75	23	29	51	15	40	TR-4.0	
ST25.4-GST8-40/75	8	25.4	23	75	28	36	51	16	40	TR-4.0	C/ L/ M32
ST25.4-GST10-40/75	10	25.4	27	75	29.5	36	56	17	40	TR-4.0	
ST25.4-GST12-40/75	12	25.4	29	75	31.5	38	56	18	40	TR-4.0	



SWISS TURN

Front Type

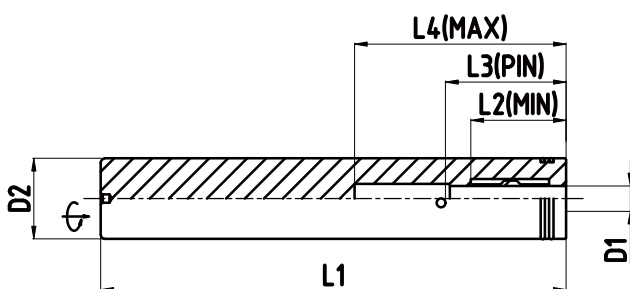


≡ Dimensions(mm)

ST16	D1	D2	D3	L1	L2	L3	L4	L5	Shape	Wrench	Type of machine
ST16-GST3-90	3	16	-	90	17.5	24	40	-		TR-3.0	SR-10J
ST16-GST3.175-90	3.175	16	-	90	17.5	24	40	-		TR-3.0	
ST16-GST4-90	4	16	-	90	21	26	40	-		TR-3.0	
ST16-GST6-90	6	16	-	90	23	29	37	-		TR-3.0	

ST22	D1	D2	D3	L1	L2	L3	L4	L5	Shape	Wrench	Type of machine
ST22-GST3-110	3	22	-	110	17.5	24	40	-		TR-4.0	12 / 20 SERIES
ST22-GST4-110	4	22	-	110	21	26	40	-		TR-4.0	
ST22-GST6-110	6	22	-	110	23	29	52	-		TR-4.0	
ST22-GST8-110	8	22	-	110	28	34	52	-		TR-4.0	
ST22-GST10-110	10	22	-	110	29.5	36	55	-		TR-4.0	

ST32	D1	D2	D3	L1	L2	L3	L4	L5	Shape	Wrench	Type of machine
ST32-GST3-110	3	32	-	110	17.5	24	40	-		TR-4.0	32 SERIES
ST32-GST4-110	4	32	-	110	21	26	40	-		TR-4.0	
ST32-GST6-110	6	32	-	110	23	29	52	-		TR-4.0	
ST32-GST8-110	8	32	-	110	28	34	52	-		TR-4.0	
ST32-GST10-110	10	32	-	110	29.5	36	55	-		TR-4.0	
ST32-GST12-110	12	32	-	110	31.5	38	58	-		TR-4.0	



ST16/ ST22/ ST32

Back Type

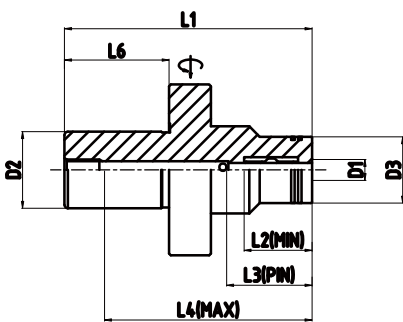


Dimensions(mm)

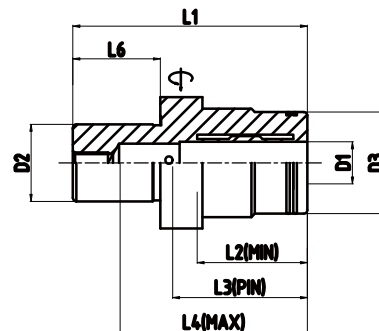
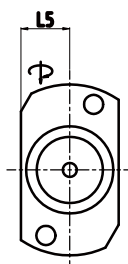
ST22	D1	D2	D3	L1	L2	L3	L4	L5	L6	Wrench	Type of machine
ST22-GST4-25/66A	4	22	19	66	21	25	56	14	25	TR-4.0	
ST22-GST6-25/66A	6	22	20	66	23	30	47	14	25	TR-4.0	
ST22-GST8-25/66A	8	22	23	66	28	34	51	15	25	TR-4.0	12/ 20 SERIES
ST22-GST10-25/66A	10	22	27	66	29.5	36	52	16	25	TR-4.0	
ST22-GST12-25/66A	12	22	29	66	31.5	42	56	17.25	25	TR-4.0	

ST22	D1	D2	D3	L1	L2	L3	L4	L5	L6	Wrench	Type of machine
ST22-GST4-25/66B	4	22	19	66	21	25	56	16.25	25	TR-4.0	
ST22-GST6-25/66B	6	22	20	66	23	30	47	16.25	25	TR-4.0	
ST22-GST8-25/66B	8	22	23	66	28	34	51	16.25	25	TR-4.0	SW20/ SR20IV
ST22-GST10-25/66B	10	22	27	66	29.5	36	52	16.25	25	TR-4.0	
ST22-GST12-25/66B	12	22	29	66	31.5	42	52	17.25	25	TR-4.0	

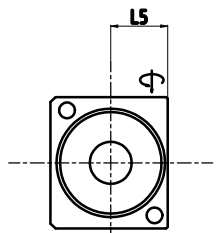
- »h6 shank tools must be used.
- »T-wrench is must be ordered separately.
- »The inner diameter 8 and 12 can be used with various tools by using the hydro-sleeve.
- »All products center through coolant system.(All item Coolant M6x1.0)
- »Additional sizes and special designs available on request.



ST22-A



ST22-B



SWISS TURN

Front Type

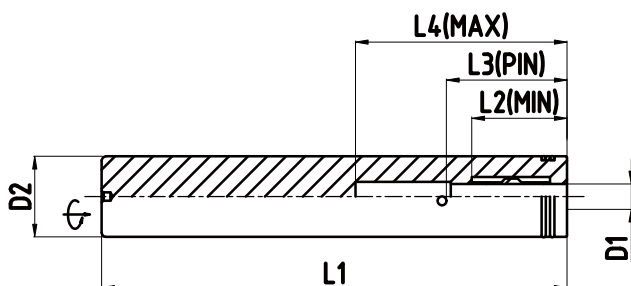


≡ Dimensions(mm)

ST16	D1	D2	D3	L1	L2	L3	L4	L5	Shape	Wrench	Type of machine
ST16-GST3-50	3	16	-	50	17.5	24	28	-		TR-3.0	P01 /P03
ST16-GST3.175-50	3.175	16	-	50	17.5	24	28	-		TR-3.0	
ST16-GST4-50	4	16	-	50	21	26	28	-		TR-3.0	

ST20	D1	D2	D3	L1	L2	L3	L4	L5	Shape	Wrench	Type of machine
ST20-GST3-110	3	20	-	110	17.5	24	40	-		TR-3.0	BO12 /20 /S20 SERIES
ST20-GST4-110	4	20	-	110	21	26	40	-		TR-3.0	
ST20-GST6-110	6	20	-	110	23	29	52	-		TR-3.0	
ST20-GST8-110	8	20	-	110	28	34	52	-		TR-3.0	

ST25	D1	D2	D3	L1	L2	L3	L4	L5	Shape	Wrench	Type of machine
ST25-GST3-110	3	25	-	110	17.5	24	40	-		TR-4.0	32 SERIES
ST25-GST4-110	4	25	-	110	21	26	40	-		TR-4.0	
ST25-GST6-110	6	25	-	110	23	29	52	-		TR-4.0	
ST25-GST8-110	8	25	-	110	28	34	52	-		TR-4.0	
ST25-GST10-110	10	25	-	110	29.5	36	55	-		TR-4.0	
ST25-GST12-110	12	25	-	110	31.5	38	58	-		TR-4.0	



ST16/ ST20/ ST25

Back Type

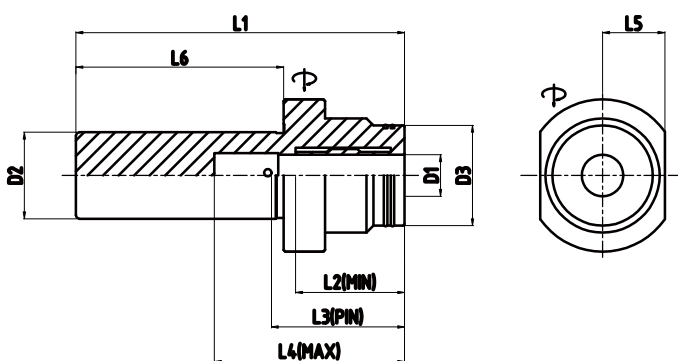


≡ Dimensions(mm)

ST20	D1	D2	D3	L1	L2	L3	L4	L5	L6	Wrench	Type of machine
ST20-GST4-40/75	4	20	19	75	21	26	46	14	40	TR-4.0	BO12 /20 /S20 SERIES
ST20-GST6-40/75	6	20	20	75	23	29	51	15	40	TR-4.0	
ST20-GST8-40/75	8	20	23	75	28	36	51	16	40	TR-4.0	
ST20-GST10-40/75	10	20	27	75	29.5	36	56	17	40	TR-4.0	

ST25	D1	D2	D3	L1	L2	L3	L4	L5	L6	Wrench	Type of machine
ST25-GST4-60/95	4	25	19	95	21	26	46	14	60	TR-4.0	32 SERIES
ST25-GST6-60/95	6	25	20	95	23	29	51	15	60	TR-4.0	
ST25-GST8-60/95	8	25	23	95	28	34	51	16	60	TR-4.0	
ST25-GST10-60/95	10	25	27	95	29.5	36	56	17	60	TR-4.0	
ST25-GST12-60/95	12	25	29	95	31.5	38	56	18	60	TR-4.0	

- »h6 shank tools must be used.
- »T-wrench is must be ordered separately.
- »The inner diameter 8 and 12 can be used with various tools by using the hydro-sleeve.
- »All products center through coolant system.(All item Coolant M6x1.0)
- »Additional sizes and special designs available on request.






















ST20/ ST25

Front Type

TORNOS

 Dimensions(mm)

ST16	D1	D2	D3	L1	L2	L3	L4	L5	Shape	Wrench	Type of machine
ST16-GST3-50	3	16	-	50	17.5	24	28	-		TR-3.0	MICRO 7/8
ST16-GST3.175-50	3.175	16	-	50	17.5	24	28	-		TR-3.0	
ST16-GST4-50	4	16	-	50	21	26	28	-		TR-3.0	
ST16-GST3-90	3	16	-	90	17.5	24	40	-		TR-3.0	SWISS NANO SERIES
ST16-GST3.175-90	3.175	16	-	90	17.5	24	40	-		TR-3.0	
ST16-GST4-90	4	16	-	90	21	26	40	-		TR-3.0	
ST16-GST6-90	6	16	-	90	23	29	37	-		TR-3.0	
ST20											
ST20-GST3-110	3	20	-	110	17.5	24	40	-		TR-3.0	GAMMA20
ST20-GST4-110	4	20	-	110	21	26	40	-		TR-3.0	
ST20-GST6-110	6	20	-	110	23	29	52	-		TR-3.0	
ST20-GST8-110	8	20	-	110	28	34	52	-		TR-3.0	
ST22											
ST22-GST3-110	3	22	-	110	17.5	24	40	-		TR-4.0	DELTA 20 GAMMA 20
ST22-GST4-110	4	22	-	110	21	26	40	-		TR-4.0	
ST22-GST6-110	6	22	-	110	23	29	52	-		TR-4.0	
ST22-GST8-110	8	22	-	110	28	34	52	-		TR-4.0	
ST22-GST10-110	10	22	-	110	29.5	36	55	-		TR-4.0	
ST25											
ST25-GST3-110	3	25	-	110	17.5	24	40	-		TR-4.0	DECO (7/10/13/20)
ST25-GST4-110	4	25	-	110	21	26	40	-		TR-4.0	
ST25-GST6-110	6	25	-	110	23	29	52	-		TR-4.0	
ST25-GST8-110	8	25	-	110	28	34	52	-		TR-4.0	
ST25-GST10-110	10	25	-	110	29.5	36	55	-		TR-4.0	
ST25-GST12-110	12	25	-	110	31.5	38	58	-		TR-4.0	

Back Type

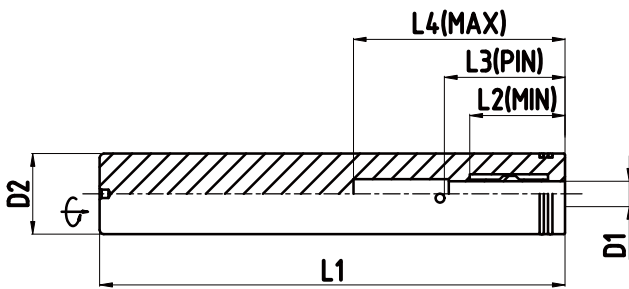
TORNOS

≡ Dimensions(mm)

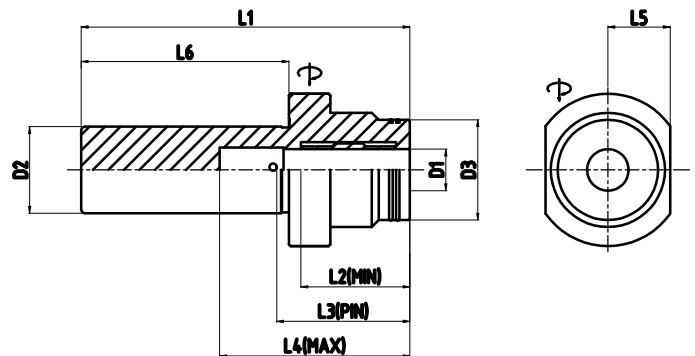
ST20	D1	D2	D3	L1	L2	L3	L4	L5	L6	Wrench	Type of machine
ST20-GST4-40/75	4	20	19	75	21	26	46	14	40	TR-4.0	GT13/ GT26 GAMMA20
ST20-GST6-40/75	6	20	20	75	23	29	51	15	40	TR-4.0	
ST20-GST8-40/75	8	20	23	75	28	36	51	16	40	TR-4.0	
ST20-GST10-40/75	10	20	27	75	29.5	36	56	17	40	TR-4.0	

ST25	D1	D2	D3	L1	L2	L3	L4	L5	L6	Wrench	Type of machine
ST25-GST4-60/95	4	25	19	95	21	26	46	14	60	TR-4.0	DECO (7/10/13/20)
ST25-GST6-60/95	6	25	20	95	23	29	51	15	60	TR-4.0	
ST25-GST8-60/95	8	25	23	95	28	34	51	16	60	TR-4.0	
ST25-GST10-60/95	10	25	27	95	29.5	36	56	17	60	TR-4.0	
ST25-GST12-60/95	12	25	29	95	31.5	38	56	18	60	TR-4.0	

- »h6 shank tools must be used.
- »T-wrench is must be ordered separately.
- »The inner diameter 8 and 12 can be used with various tools by using the hydro-sleeve.
- »All products center through coolant system.(All item Coolant M6x1.0)
- »Additional sizes and special designs available on request.



ST16/ ST20/ ST22/ ST25



ST20/ ST25

SWISS TURN

Front Type

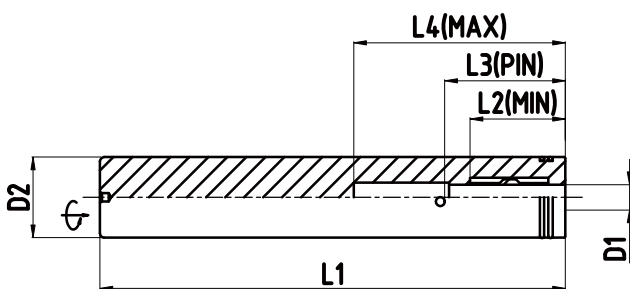


Dimensions(mm)

ST20	D1	D2	D3	L1	L2	L3	L4	L5	Shape	Wrench	Type of machine
ST20-GST3-110	3	20	-	110	17.5	24	40	-		TR-3.0	SL12H
ST20-GST4-110	4	20	-	110	21	26	40	-		TR-3.0	
ST20-GST6-110	6	20	-	110	23	29	52	-		TR-3.0	
ST20-GST8-110	8	20	-	110	28	34	52	-		TR-3.0	

ST25	D1	D2	D3	L1	L2	L3	L4	L5	Shape	Wrench	Type of machine
ST25-GST3-110	3	25	-	110	17.5	24	40	-		TR-4.0	20 SERIES
ST25-GST4-110	4	25	-	110	21	26	40	-		TR-4.0	
ST25-GST6-110	6	25	-	110	23	29	52	-		TR-4.0	
ST25-GST8-110	8	25	-	110	28	34	52	-		TR-4.0	
ST25-GST10-110	10	25	-	110	29.5	36	55	-		TR-4.0	
ST25-GST12-110	12	25	-	110	31.5	38	58	-		TR-4.0	

ST32	D1	D2	D3	L1	L2	L3	L4	L5	Shape	Wrench	Type of machine
ST32-GST3-110	3	32	-	110	17.5	24	40	-		TR-4.0	32 SERIES
ST32-GST4-110	4	32	-	110	21	26	40	-		TR-4.0	
ST32-GST6-110	6	32	-	110	23	29	52	-		TR-4.0	
ST32-GST8-110	8	32	-	110	28	34	52	-		TR-4.0	
ST32-GST10-110	10	32	-	110	29.5	36	55	-		TR-4.0	
ST32-GST12-110	12	32	-	110	31.5	38	58	-		TR-4.0	



ST20/ ST25/ ST32

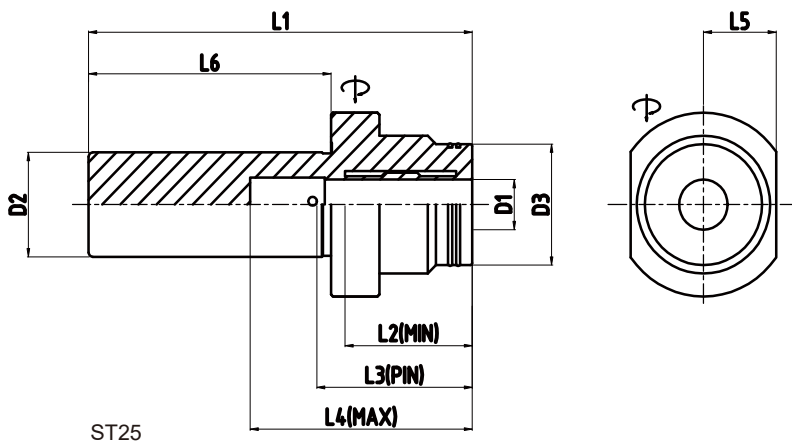
Back Type



≡ Dimensions(mm)

ST25	D1	D2	D3	L1	L2	L3	L4	L5	L6	Wrench	Type of machine
ST25-GST4-60/95	4	25	19	95	21	26	46	14	60	TR-4.0	12/ 20/ 32 SERIES
ST25-GST6-60/95	6	25	20	95	23	29	51	15	60	TR-4.0	
ST25-GST8-60/95	8	25	23	95	28	34	51	16	60	TR-4.0	
ST25-GST10-60/95	10	25	27	95	29.5	36	56	17	60	TR-4.0	
ST25-GST12-60/95	12	25	29	95	31.5	38	56	18	60	TR-4.0	

- »h6 shank tools must be used.
- »T-wrench is must be ordered separately.
- »The inner diameter 8 and 12 can be used with various tools by using the hydro-sleeve.
- »All products center through coolant system.(All item Coolant M6x1.0)
- »Additional sizes and special designs available on request.



HYDRO-SWISS TURN

ST | Cylindrical

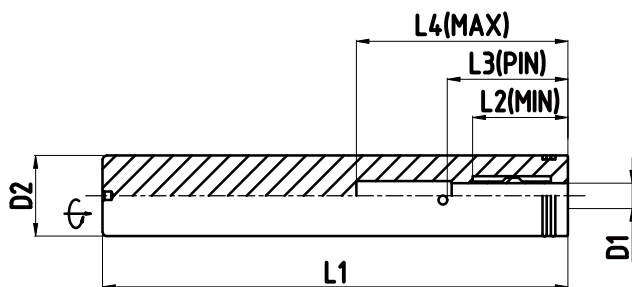
Front Type



≡ Dimensions(mm)

ST22	D1	D2	D3	L1	L2	L3	L4	L5	Shape	Wrench	Type of machine
ST22-GST3-110	3	22	-	110	17.5	24	40	-		TR-4.0	NN-20 SERIES
ST22-GST4-110	4	22	-	110	21	26	40	-		TR-4.0	
ST22-GST6-110	6	22	-	110	23	29	52	-		TR-4.0	
ST22-GST8-110	8	22	-	110	28	34	52	-		TR-4.0	
ST22-GST10-110	10	22	-	110	29.5	36	55	-		TR-4.0	

ST32	D1	D2	D3	L1	L2	L3	L4	L5	Shape	Wrench	Type of machine
ST32-GST3-110	3	32	-	110	17.5	24	40	-		TR-4.0	NN-32 SERIES
ST32-GST4-110	4	32	-	110	21	26	40	-		TR-4.0	
ST32-GST6-110	6	32	-	110	23	29	52	-		TR-4.0	
ST32-GST8-110	8	32	-	110	28	34	52	-		TR-4.0	
ST32-GST10-110	10	32	-	110	29.5	36	55	-		TR-4.0	
ST32-GST12-110	12	32	-	110	31.5	38	58	-		TR-4.0	



ST22/ ST32

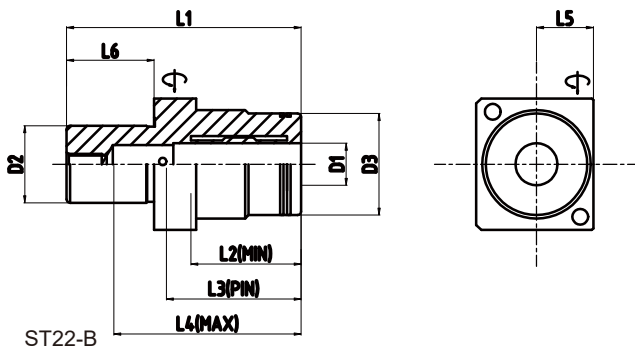
Back Type



≡ Dimensions(mm)

ST22	D1	D2	D3	L1	L2	L3	L4	L5	L6	Wrench	Type of machine
ST22-GST4-25/66B	4	22	19	66	21	25	56	16.25	25	TR-4.0	For common use
ST22-GST6-25/66B	6	22	20	66	23	30	47	16.25	25	TR-4.0	
ST22-GST8-25/66B	8	22	23	66	28	34	51	16.25	25	TR-4.0	
ST22-GST10-25/66B	10	22	27	66	29.5	36	52	16.25	25	TR-4.0	
ST22-GST12-25/66B	12	22	29	66	31.5	42	52	17.25	25	TR-4.0	

- »h6 shank tools must be used.
- »T-wrench is must be ordered separately.
- »The inner diameter 8 and 12 can be used with various tools by using the hydro-sleeve.
- »All products center through coolant system.(All item Coolant M6x1.0)
- »Additional sizes and special designs available on request.



Front Type



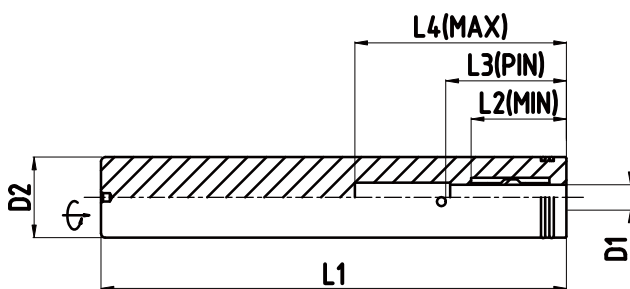
≡ Dimensions(mm)

ST19.05	D1	D2	D3	L1	L2	L3	L4	L5	Shape	Wrench	Type of machine
ST19.05-GST3-110	3	19.05	-	110	17.5	24	40	-		TR-3.0	Depending on Machine
ST19.05-GST4-110	4	19.05	-	110	21	26	40	-		TR-3.0	
ST19.05-GST6-110	6	19.05	-	110	23	29	52	-		TR-3.0	
ST19.05-GST8-110	8	19.05	-	110	28	34	52	-		TR-3.0	

ST25	D1	D2	D3	L1	L2	L3	L4	L5	Shape	Wrench	Type of machine
ST25-GST3-110	3	25	-	110	17.5	24	40	-		TR-4.0	Depending on Machine
ST25-GST4-110	4	25	-	110	21	26	40	-		TR-4.0	
ST25-GST6-110	6	25	-	110	23	29	52	-		TR-4.0	
ST25-GST8-110	8	25	-	110	28	34	52	-		TR-4.0	
ST25-GST10-110	10	25	-	110	29.5	36	55	-		TR-4.0	
ST25-GST12-110	12	25	-	110	31.5	38	58	-		TR-4.0	

ST32	D1	D2	D3	L1	L2	L3	L4	L5	Shape	Wrench	Type of machine
ST32-GST3-110	3	32	-	110	17.5	24	40	-		TR-4.0	Depending on Machine
ST32-GST4-110	4	32	-	110	21	26	40	-		TR-4.0	
ST32-GST6-110	6	32	-	110	23	29	52	-		TR-4.0	
ST32-GST8-110	8	32	-	110	28	34	52	-		TR-4.0	
ST32-GST10-110	10	32	-	110	29.5	36	55	-		TR-4.0	
ST32-GST12-110	12	32	-	110	31.5	38	58	-		TR-4.0	

SWISS TURN



ST19.05/ ST22/ ST32

Back Type

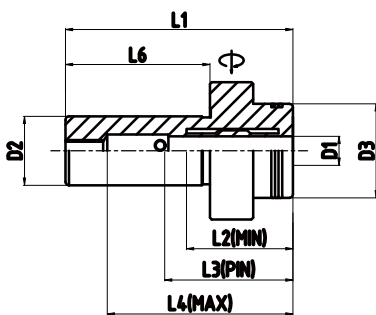
NEXTURN
SWISS TURN LEADER

Dimensions(mm)

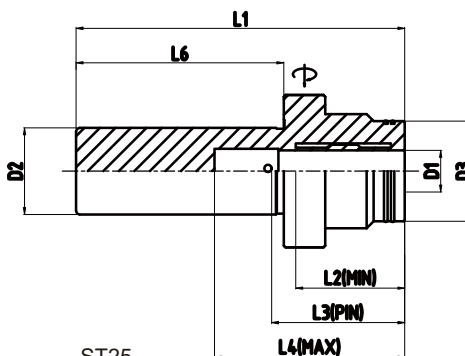
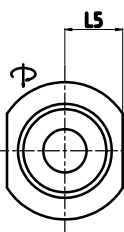
ST19.05	D1	D2	D3	L1	L2	L3	L4	L5	L6	Wrench	Type of machine
ST19.05-GST3-40/63	3	19.05	20	63	17.5	24	53	13.5	40	TR-4.0	Depending on Machine
ST19.05-GST4-40/63	4	19.05	22	63	21	26	53	14	40	TR-4.0	
ST19.05-GST6-40/63	6	19.05	24	63	23	29	53	15	40	TR-4.0	
ST19.05-GST8-40/63	8	19.05	26	63	28	34	53	16	40	TR-4.0	
ST19.05-GST10-40/63	10	19.05	28	63	29.5	36	53	17	40	TR-4.0	

ST25	D1	D2	D3	L1	L2	L3	L4	L5	L6	Wrench	Type of machine
ST25-GST4-60/95	4	25	19	95	21	26	46	14	60	TR-4.0	Depending on Machine
ST25-GST6-60/95	6	25	20	95	23	29	51	15	60	TR-4.0	
ST25-GST8-60/95	8	25	23	95	28	34	51	16	60	TR-4.0	
ST25-GST10-60/95	10	25	27	95	29.5	36	56	17	60	TR-4.0	
ST25-GST12-60/95	12	25	29	95	31.5	38	56	18	60	TR-4.0	

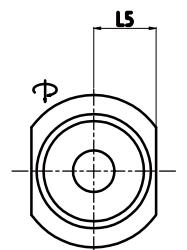
- »h6 shank tools must be used.
- »T-wrench is must be ordered separately.
- »The inner diameter 8 and 12 can be used with various tools by using the hydro-sleeve.
- »All products center through coolant system.(All item Coolant M6x1.0)
- »Additional sizes and special designs available on request.



ST19.05



ST25



SWISS TURN

Options

Hydro-sleeve



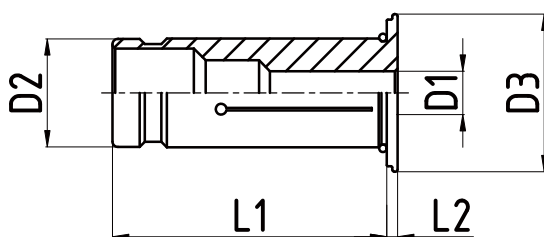
Coolant type

Dimensions(mm)

OD8	D1	D2	D3	L1	L2	Kg.
OD8-3	3	8	12.5	35.5	2	0.1
OD8-4	4	8	12.5	35.5	2	0.1
OD8-5	5	8	12.5	35.5	2	0.1
OD8-6	6	8	12.5	35.5	2	0.1

OD12	D1	D2	D3	L1	L2	Kg.
OD12-3	3	12	19	45	2	0.1
OD12-4	4	12	19	45	2	0.1
OD12-5	5	12	19	45	2	0.1
OD12-6	6	12	19	45	2	0.1
OD12-7	7	12	19	45	2	0.1
OD12-8	8	12	19	45	2	0.1
OD12-9	9	12	19	45	2	0.1
OD12-10	10	12	19	45	2	0.1


- »All shank tools must be used.
- »Internal Coolant type Run-out 3xd 3Micron all items.
- »Additional sizes and special designs available on request.
- »Applied when using oil hole type tools.
- »Recommended for use in precise work.
- »All types of shank can be used.(Stright, Flat, Whistle notch)



OD8/ OD12

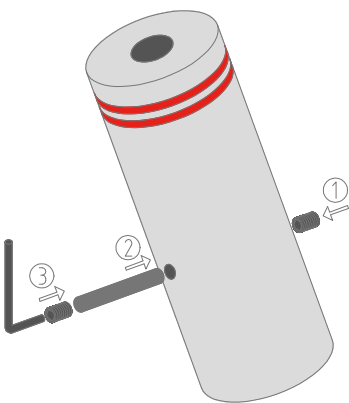
Torque T-wrench (5.5Nm)



TR		Applied product
TR-3.0	3mm	ST16 /ST19.05/ ST20
TR-4.0	4mm	ST22/ ST25/ ST25.4 /ST32

- »5.5Nm torque.
- »Extended hydraulic piston and parts life.
- »Capable of clamping with constant force.

Positioning PIN KIT



PP kit	Applied product
P2.5X8	ST16
P2.5X12	ST19.05 ST20
P2.5X14	ST22
P2.5X16	ST25 ST25.4 ST32

- »Kit Components
- M3x0.5 3mm, Bolt x 4pcs.
- Pin x 2pcs.
- 1.5mm L wrench X 1pcs.